

**Features:**

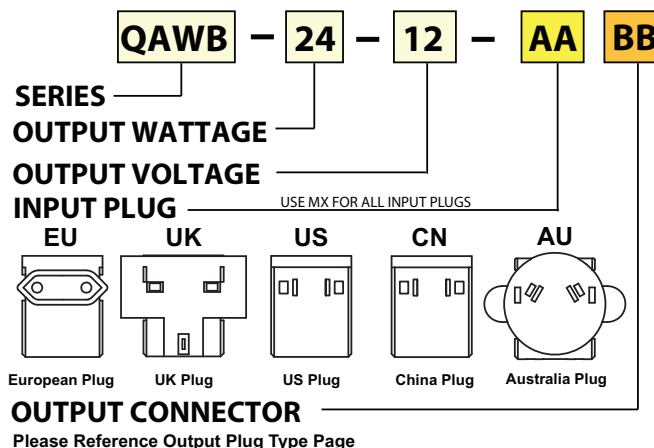
- Universal AC input/ Full Range
- Energy Efficiency Level VI
- ErP Step 2 Compliant
- NRCAN and GEMS Compliant
- Output Protections: OVP/SCP/OC
- No Load Power Consumption <0.1W
- 1 Year Warranty



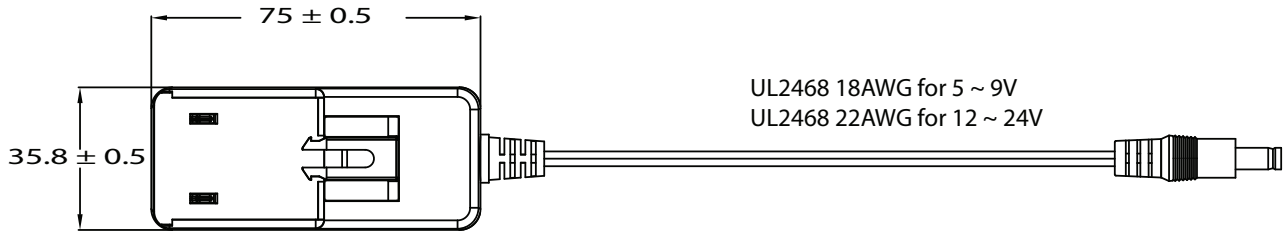
Model	QAWB-24-5	QAWB-24-5.9	QAWB-24-7	QAWB-24-7.5	QAWB-24-9	QAWB-24-12	QAWB-24-15	QAWB-24-24	QAWB-24-48
<b>Output Characteristics</b>									
DC Output	5V	5.9V	7V	7.5V	9V	12V	15V	24V	48V
Rated Current	4.0A	3.5A	3.0A	3.0A	2.5A	2.0A	1.6A	1.0A	0.5A
Ripple and Noise	±2% Vo @ Rated Load								
Load Regulation (Typ.)	±5%								
Transient Response (Typ.)	0.5mS for 50% Load Change								
Hold-up Time (Typ.)	10mS @ Rated Load								
Output Protection	Short Circuit, Over Voltage, Over Current								
Ferrite Core	No								
<b>Input Characteristics</b>									
Voltage Range	100VAC~240VAC								
Frequency Range	50Hz-60Hz								
Efficiency	DoE Level VI, Energy Star, ErP Step 2, NRCAN & GEMS Level VI Certified								
AC Current (max)	0.58A								
Input Protection	Internal Primary Current Fuse, Inrush Limiting								
Leakage Current	0.25mA								
<b>Environmental Characteristics</b>									
Operating Temperature	0°C~40°C								
Operating Relative Humidity	20% RH to 80% RH								
Storage Temperature	-20°C~80°C, 10% RH to 90% RH								
Topology	Switching Flyback								
Dielectric Withstand	3000VAC Primary-Secondary								
EMI Conduction & Radiation	Compliance to EN55022 Class B								
Harmonic Current	Compliance to EN61000-3-2, 3								
EMS Immunity	Compliance to IEC61000-4-2, 3, 4, 5, 6, 8, 11								
<b>Characteristics</b>									
MTBF	300,000Hrs (25°C, Telecordia SR-332)								
Dimension (LxWxH)	72x34x69mm (US), 72x34x90mm (EU), 72x50x81mm (UK), 72x40x78 (AU), 72x34x69 (CN)								
Weight	148g (US), 154g (EU), 158g (UK), 150g (AU), 148g (CN)								

Note: Safety Approvals  
 EU: CB, CE, LPS  
 UK: CB, CE, LPS  
 US: CB, UL, cUL, FCC, PSE, BSMI, LPS  
 AU: CB, RCM, LPS  
 CN: CB, CCC, LPS

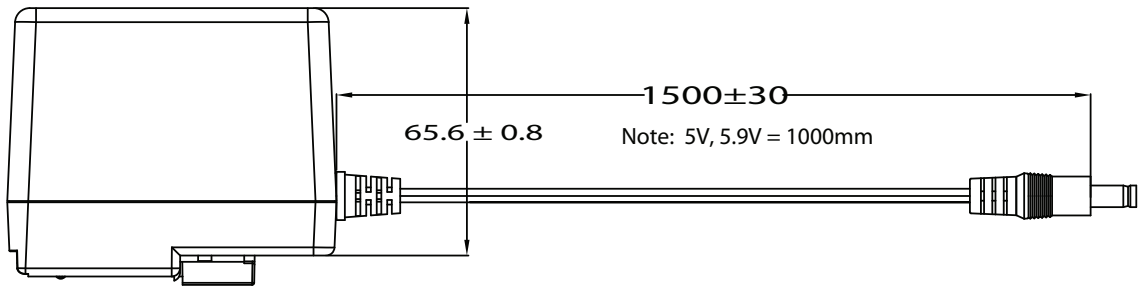
**PART NUMBER SYSTEM**



## MECHANICAL SPECIFICATIONS

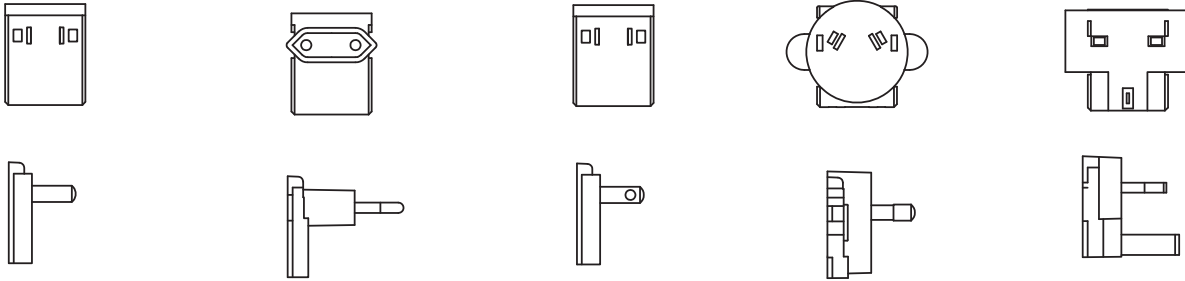


TOP VIEW

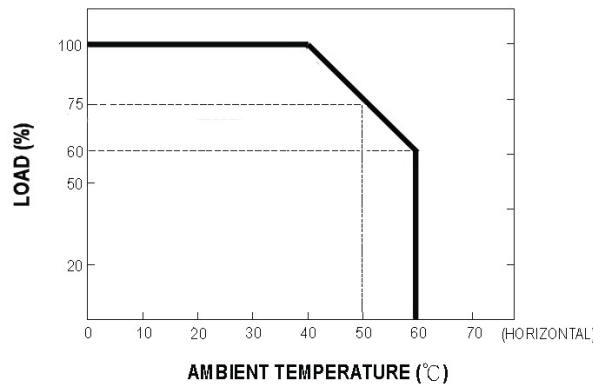


SIDE VIEW

## CHANGEABLE PLUGS



## DERATING CURVE



UNIT: mm