



**Features:**

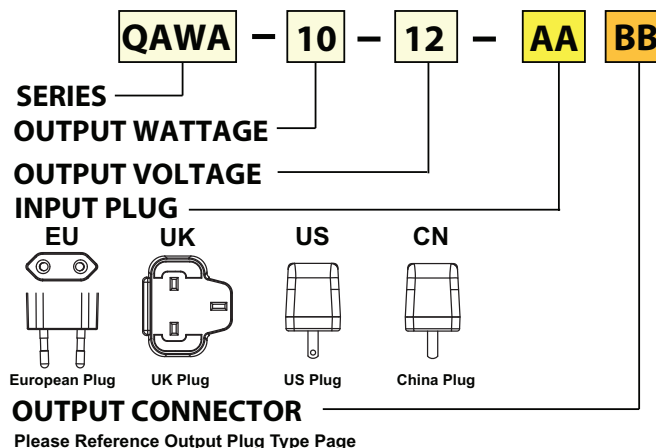
- Universal AC input/ Full Range
- Energy Efficiency Level VI
- ErP Step 2 Compliant
- NRCan Compliant
- Output Protections: OVP/SCP/OC
- No Load Power Consumption <0.1W
- 1 Year Warranty



Model	QAWA-10-3.3	QAWA-10-5	QAWA-10-6	QAWA-10-8.4	QAWA-10-9	QAWA-10-12	QAWA-10-13.5	QAWA-10-15	QAWA-10-18	QAWA-10-24
<b>Output Characteristics</b>										
DC Output	3.3V	5V	5.9V	8.4V	9V	12V	13.5V	15V	18V	24V
Rated Current	2.0A	2.0A	2.0A	1.3A	1.2A	1.0A	0.89A	0.80A	0.67A	0.5A
Ripple and Noise	±2% Vo @ Rated Load									
Load Regulation (Typ.)	±5%									
Transient Response (Typ.)	0.5mS for 50% Load Change									
Hold-up Time (Typ.)	10mS @ Rated Load									
Output Protection	Short Circuit, Over Voltage, Over Current									
Ferrite Core	Yes									
<b>Input Characteristics</b>										
Voltage Range	100VAC~240VAC									
Frequency Range	50Hz-60Hz									
Efficiency	DoE Level VI, Energy Star, ErP Step 2, NRCan Certified									
AC Current (max)	0.31A									
Input Protection	Internal Primary Current Fuse, Inrush Limiting									
Leakage Current	0.25mA									
<b>Environmental Characteristics</b>										
Operating Temperature	0°C~40°C									
Operating Relative Humidity	20% RH to 80% RH									
Storage Temperature	-20°C~80°C, 10% RH to 90% RH									
Topology	Switching Flyback									
Dielectric Withstand	3000VAC Primary-Secondary									
EMI Conduction & Radiation	Compliance to EN55022 Class B									
Harmonic Current	Compliance to EN61000-3-2, 3									
EMS Immunity	Compliance to IEC61000-4-2, 3, 4, 5, 6, 8, 11									
<b>Characteristics</b>										
MTBF	300,000Hrs (25°C, Telecordia SR-332)									
Dimension (LxWxH)	72x34x59mm (US), 72x34x80mm (EU), 72x50x72mm (UK), 72x34x58 (CN)									
Weight	126g (US), 128g (EU), 130g (UK), 126g (CN)									

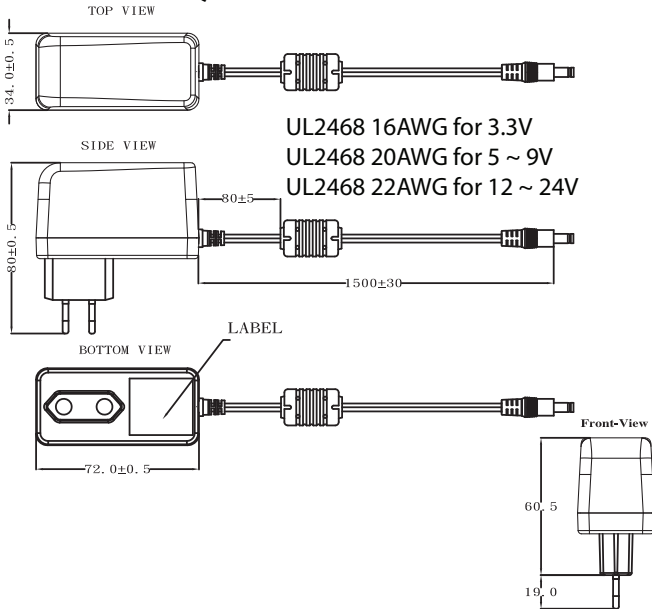
Note: Safety Approvals  
 EU: CB, CE, LPS  
 UK: CB, CE, LPS  
 US: CB, UL, cUL, FCC, PSE, BSMI, LPS  
 CN: CB, CCC, LPS

**PART NUMBER SYSTEM**

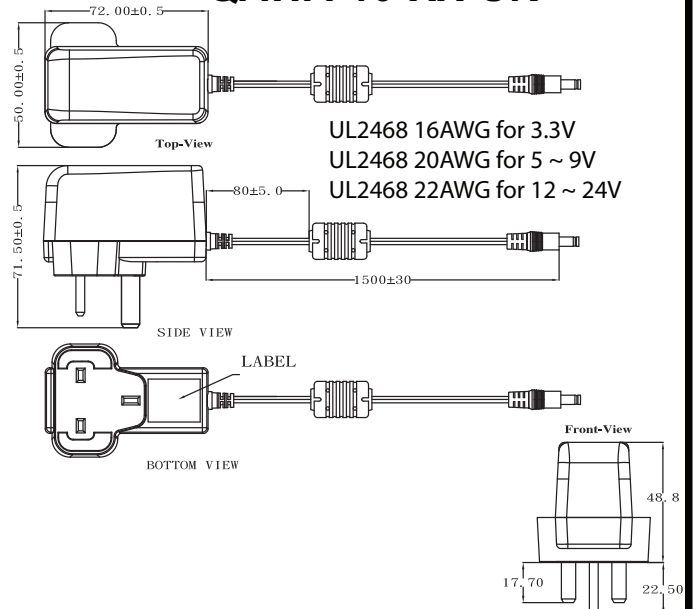


## MECHANICAL SPECIFICATIONS

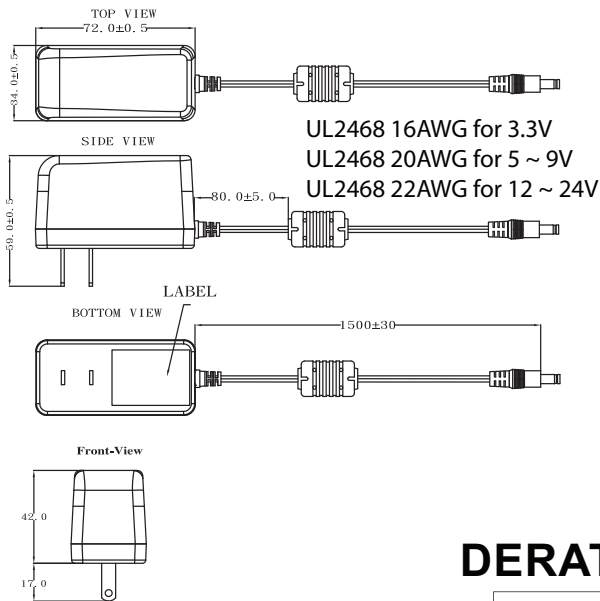
### QAWA-10-XX-EU



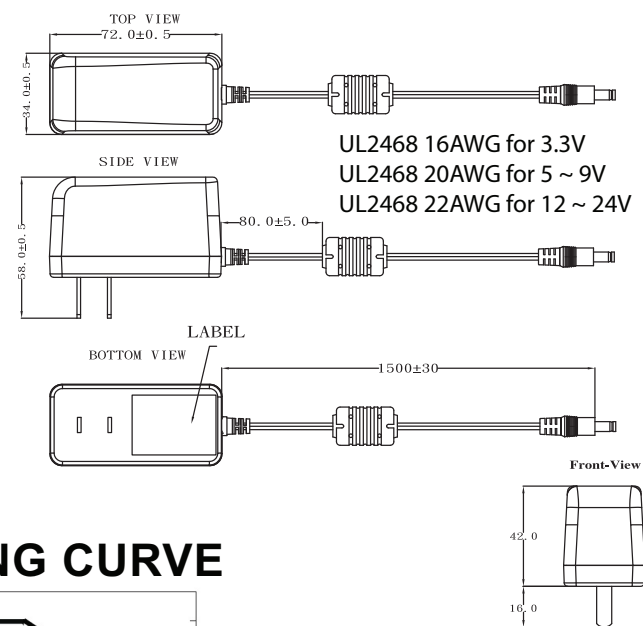
### QAWA-10-XX-UK



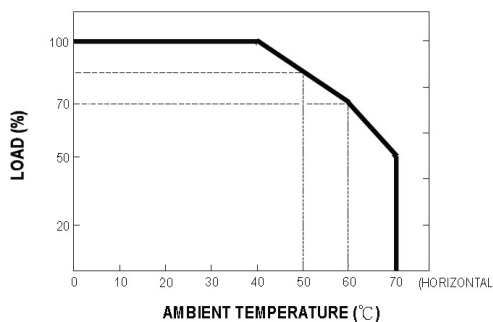
### QAWA-10-XX-US



### QAWA-10-XX-CN



## DERATING CURVE



UNIT: mm