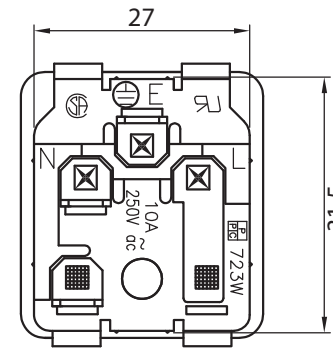
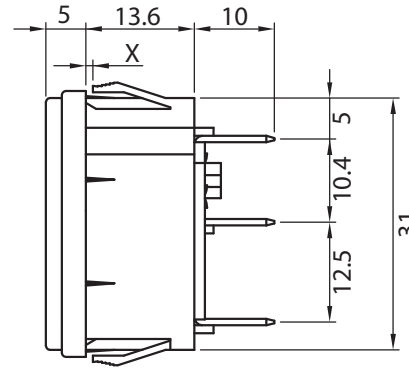
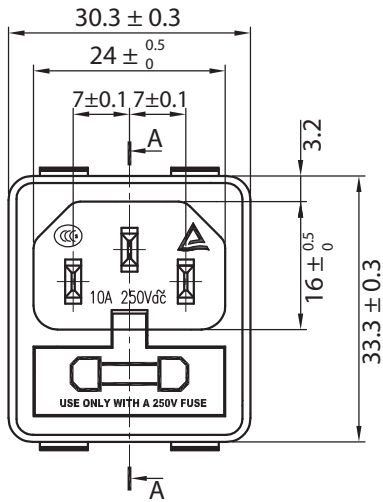
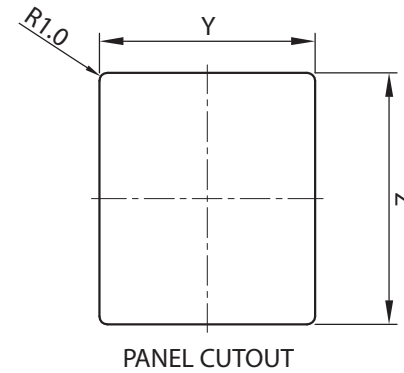
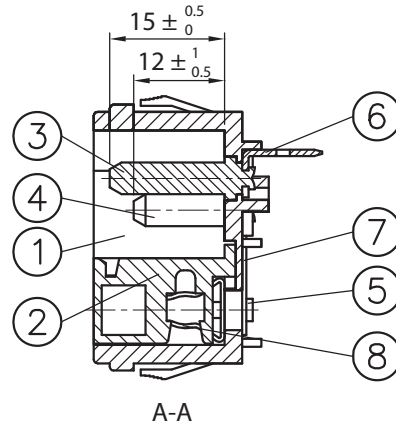
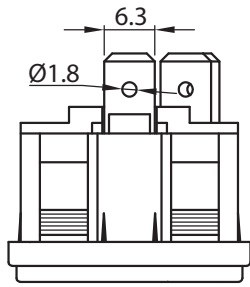


THESE DRAWINGS ARE THE PROPERTY OF QUALTEK ELECTRONICS AND NOT TO BE REPRODUCED FOR OR COMMUNICATED TO A THIRD PARTY WITHOUT THE EXPRESS WRITTEN PERMISSION OF AN OFFICER OF QUALTEK ELECTRONICS.

REVISION			
REV.	DESCRIPTION	DATE	APPROVED
B	RoHS Compliancy	06-01-06	DP
C	Updated Approvals	01-26-16	LY



CONTROLLED

X(PANEL THICKNESS)	Y(CUTOUT DIMENSION)	Z(CUTOUT DIMENSION)
0.8~1.25 mm	27.3±0.2	31.4±0.5
1.25~2.0 mm	27.3±0.2	31.6±0.5

PANEL CUTOUT DIMENSION TABLE

8	Terminal Brass t=0.5mm	2
7	Terminal Brass t=0.8mm	1
6	Terminal Brass t=0.8mm	3
5	Terminal Copper t=2.0mm	2
4	Terminal Brass t=2.0mm	2
3	Terminal Brass t=2.0mm	1
2	Cover Nylon # 66 Color: Black	1
1	Case Nylon # 66 Color: Black	1

NOTES:

RATING: 10A 250V AC
 DUAL FUSEHOLDER, ONE ACTIVE, ONE SPARE
 FUSES NOT INCLUDED - RECOMMENDED SIZE: 5 X 20mm
 APPROVALS: UL,CSA,TUV,CCC
 RoHS COMPLIANT

Dim range (mm)	Tolerance +/- (mm)	Qualtek Electronics Corp. PPC DIVISION		
		Part Number: 723W-X2/04	RoHS Compliant	
0-1	0.15	Description: UNIVERSAL SNAP-IN INLET WITH FUSEHOLDER		
1-6	0.20		UNIT: mm	REV. C
6-18	0.30			
18-50	0.50			
50-120	0.70	Drawn / Date	Checked / Date	Approved / Date
120-250	0.90	B.Zhang 04-04-05	04-04-05	JJH / 04-04-05
250-500	1.20			