

Features:

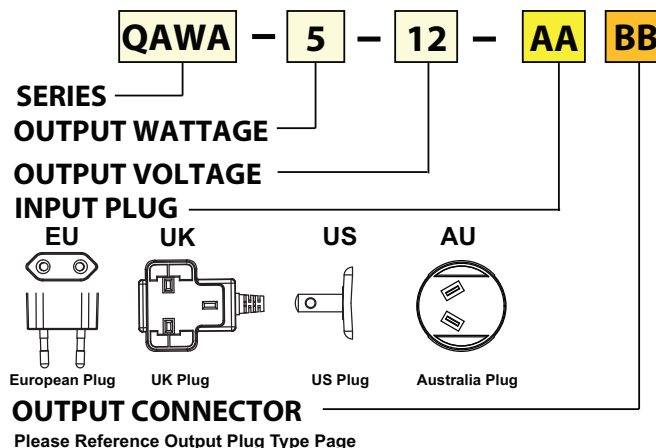
- Universal AC input/ Full Range
- Energy Efficiency Level VI
- ErP Step 2 Compliant
- NRCAN and GEMS Compliant
- Output Protections: OVP/SCP/OCP
- No Load Power Consumption <0.1W
- 1 Year Warranty



Model	QAWA-5-3.3	QAWA-5-5	QAWA-5-6	QAWA-5-7.5	QAWA-5-9	QAWA-5-12	QAWA-5-15
Output Characteristics							
DC Output	3.3V	5V	5.9V	7.5V	9V	12V	15V
Rated Current	1.5A	1.5A	1.2A	1.0A	0.67A	0.6A	0.5A
Ripple and Noise	±2% Vo @ Rated Load						
Load Regulation (Typ.)	±5%						
Transient Response (Typ.)	0.5mS for 50% Load Change						
Hold-up Time (Typ.)	10mS @ Rated Load						
Output Protection	Short Circuit, Over Voltage, Over Current						
Ferrite Core	Yes						
Input Characteristics							
Voltage Range	100VAC~240VAC						
Frequency Range	50Hz-60Hz						
Efficiency	DoE Level VI, Energy Star, ErP Stage 2, NRCAN & GEMS Level VI Certified						
AC Current (max)	0.19A						
Input Protection	Internal Primary Current Fuse, Inrush Limiting						
Leakage Current	0.25mA						
Environmental Characteristics							
Operating Temperature	0°C~40°C						
Operating Relative Humidity	20% RH to 80% RH						
Storage Temperature	-20°C~80°C, 10% RH to 90% RH						
Topology	Switching Flyback						
Dielectric Withstand	3000VAC Primary-Secondary						
EMI Conduction & Radiation	Compliance to EN55022 Class B						
Harmonic Current	Compliance to EN61000-3-2, 3						
EMS Immunity	IEC61000-4-2, 3, 4, 5, 6, 8, 11						
Characteristics							
MTBF	300,000Hrs (25°C, Telecordia SR-332)						
Dimension (LxWxH)	59x43x25mm (US), 52x28x60mm (EU), 51x49x48mm (UK), 52x41x50 (AU)						
Weight	82g (US), 96g (EU), 100g (UK), 94g (AU)						

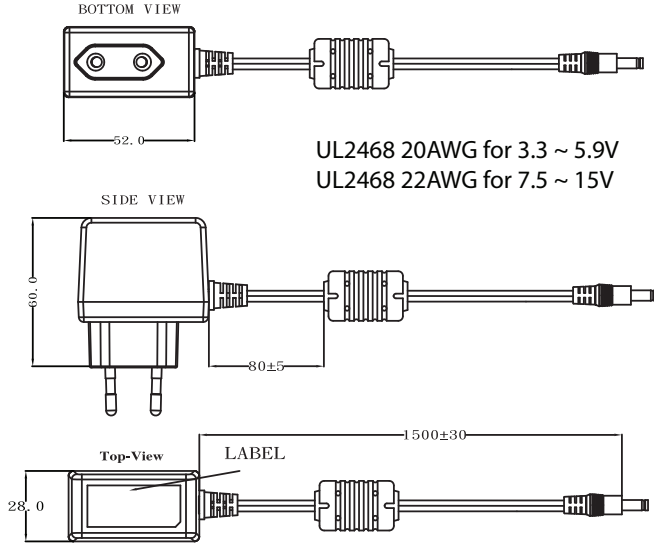
Note: Safety Approvals
 EU: CB, CE, LPS
 UK: CB, CE, LPS
 US: CB, UL, cUL, FCC, PSE, BSMI, LPS
 AU: CB, RCM, LPS

PART NUMBER SYSTEM

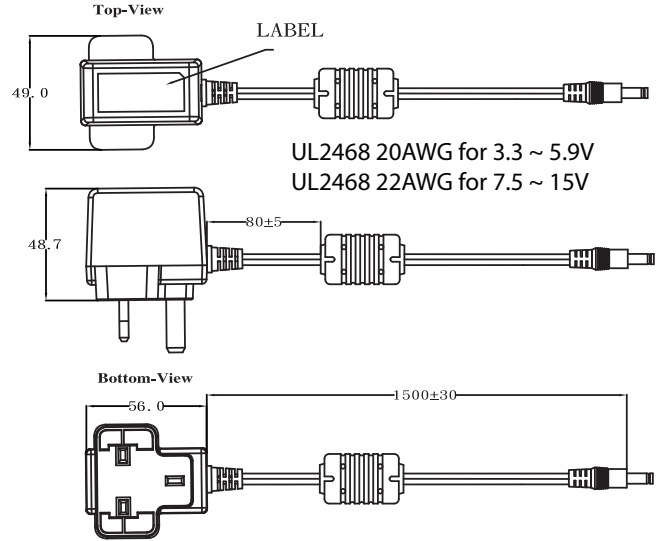


MECHANICAL SPECIFICATIONS

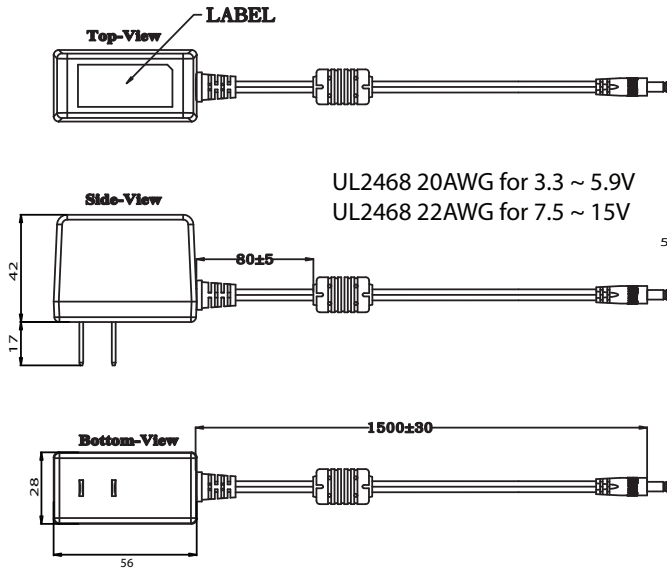
QAWA-5-XX-EU



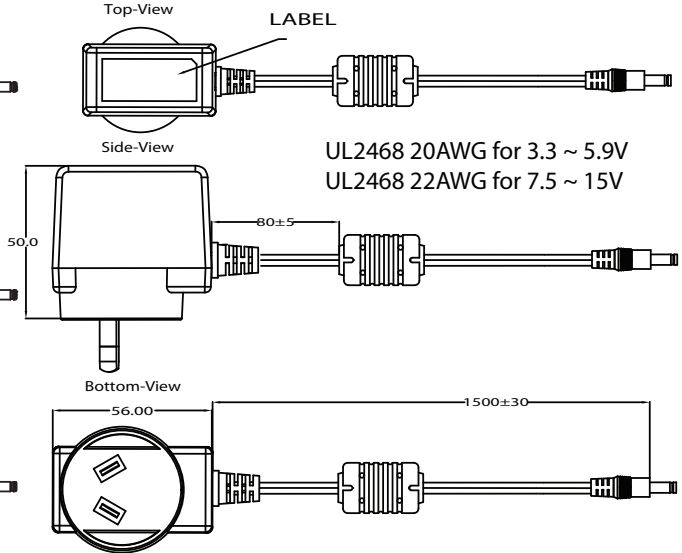
QAWA-5-XX-UK



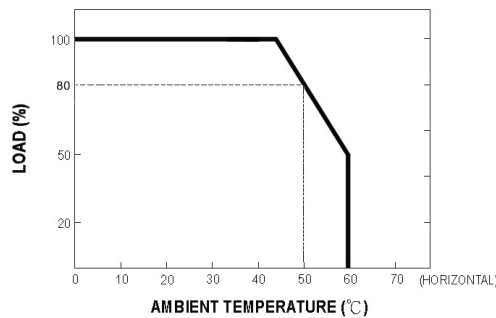
QAWA-5-XX-US



QAWA-5-XX-AU



DERATING CURVE



UNIT: mm