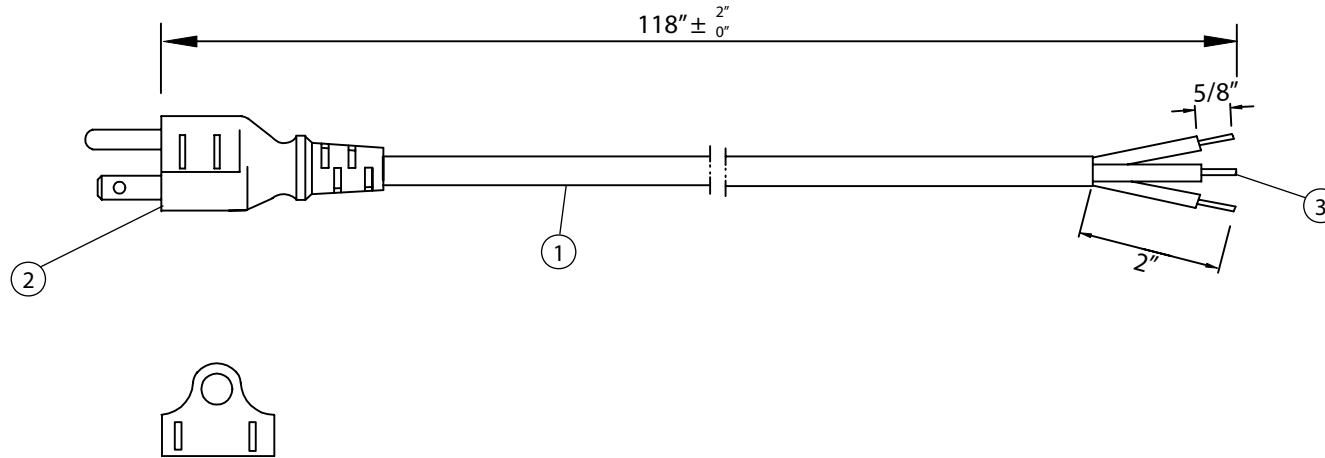


THESE DRAWINGS ARE THE PROPERTY OF QUALTEK ELECTRONICS AND NOT TO BE REPRODUCED FOR OR COMMUNICATED TO A THIRD PARTY WITHOUT THE EXPRESS WRITTEN PERMISSION OF AN OFFICER OF QUALTEK ELECTRONICS.

| REVISION |             |      |          |
|----------|-------------|------|----------|
| REV.     | DESCRIPTION | DATE | APPROVED |
|          |             |      |          |
|          |             |      |          |
|          |             |      |          |



**CONTROLLED**

NOTES:

1. CORDAGE: SJT, 14AWG / 3C, SHIELDED - MYLAR FOIL, CEE COLOR CODE, TEMP. RATING: 60°C, RATINGL 125V 15A, JACKET COLOR: BLACK
2. PLUG: NEMA 5-15P
3. OTHER END: ROJ 2", STRIP 5/8"
4. APPROVALS: UL, cUL
5. ROHS COMPLIANT

| Dim range (mm) |      | Tolerance +/- (mm)      |  | Qualtek Electronics Corp.<br>PPC DIVISION |  |                 |
|----------------|------|-------------------------|--|---|--|-----------------|
| 0-1            | 0.15 | Part Number: 311047-01  |  | RoHS Compliant                            |  |                 |
| 1-6            | 0.20 | Description: POWER CORD |  |   |  |                 |
| 6-18           | 0.30 | UNIT: in                |  |   |  |                 |
| 18-50          | 0.50 |                         |  |   |  |                 |
| 50-120         | 0.70 | Drawn / Date            |  | Checked / Date                            |  | Approved / Date |
| 120-250        | 0.90 | R.Nuti<br>01-10-08      |  | 01-10-08                                  |  | JJH / 01-10-08  |
| 250-500        | 1.20 |                         |  |   |  |                 |