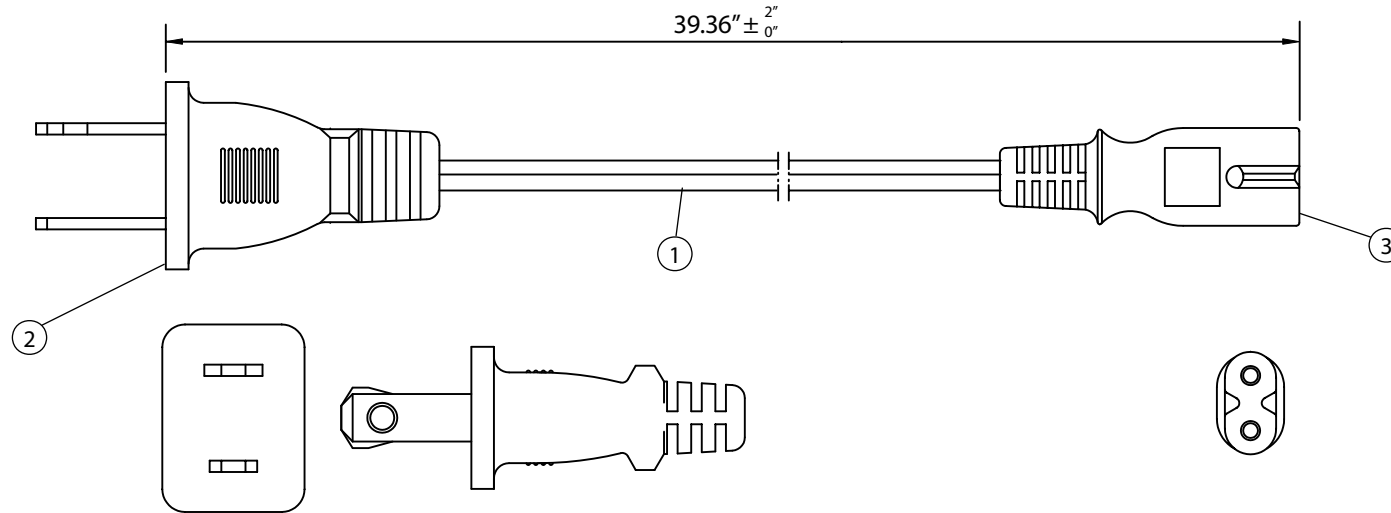


THESE DRAWINGS ARE THE PROPERTY OF QUALTEK ELECTRONICS AND NOT TO BE REPRODUCED FOR OR COMMUNICATED TO A THIRD PARTY WITHOUT THE EXPRESS WRITTEN PERMISSION OF AN OFFICER OF QUALTEK ELECTRONICS.

REVISION			
REV.	DESCRIPTION	DATE	APPROVED



CONTROLLED

NOTES:

1. CORDAGE: SPT-2, 18AWG / 2C, UNSHIELDED, TEMP. RATING: 105°C, RATING: 125V 7A, JACKET COLOR: BLACK
2. PLUG: NEMA 1-15P POLARIZED
3. CONNECTOR: IEC 60320 C7
4. APPROVALS: UL, cUL
5. ROHS COMPLIANT

Dim range (mm)		Tolerance +/- (mm)		Qualtek Electronics Corp. PPC DIVISION		
0-1		0.15		Part Number:	223052-01	RoHS Compliant
1-6		0.20		Description: POWER CORD		
6-18		0.30				
18-50		0.50		UNIT: in		
50-120		0.70		Drawn / Date	Checked / Date	Approved / Date
120-250		0.90		R.Nuti 07-20-17	07-20-17	LY / 07-20-17
250-500		1.20				