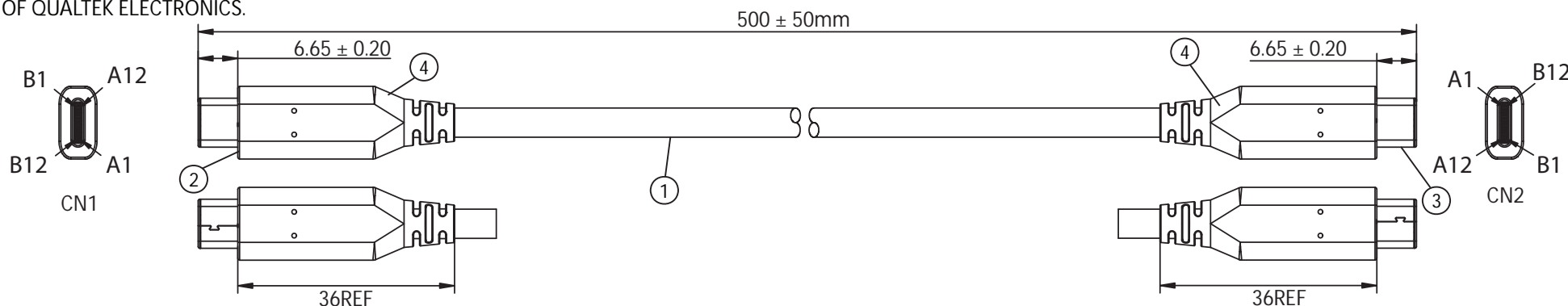
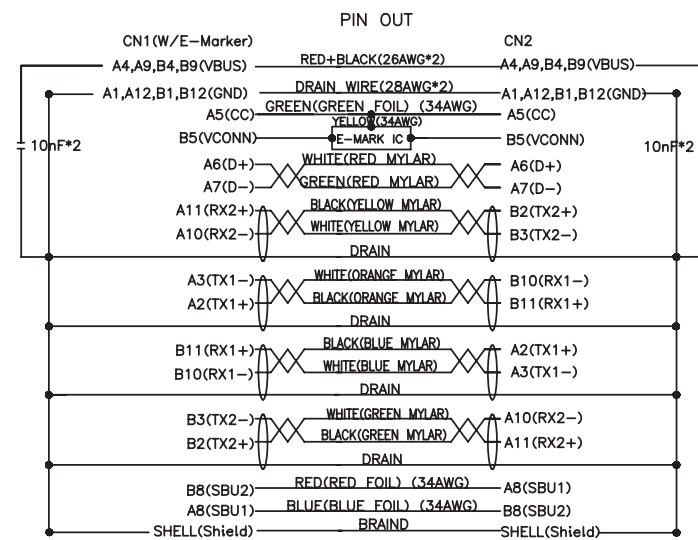
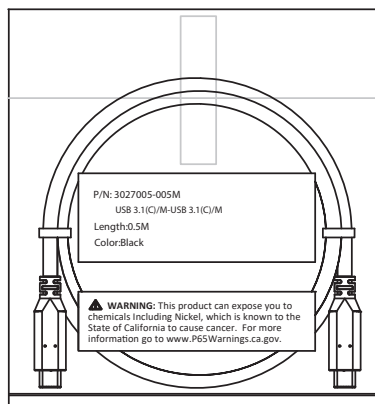


THESE DRAWINGS ARE THE PROPERTY OF QUALTEK ELECTRONICS AND NOT TO BE REPRODUCED FOR OR COMMUNICATED TO A THIRD PARTY WITHOUT THE EXPRESS WRITTEN PERMISSION OF AN OFFICER OF QUALTEK ELECTRONICS.

REVISION			
REV.	DESCRIPTION	DATE	APPROVED



P/N: 3027005-005M
 USB 3.1(C)/M-USB 3.1(C)/M
 Length:0.5M
 Color:Black



- NOTES:**
- CABLE: UL2725**
 (30AWGx1PR+EAM)x4+(31AWGx2K+AM)+26AWGx2C+34AWGx1C+(34AWGx1C+A)x3+ 2EAB 85% PVC OUTER JACKET: BLACK, OD: 5.2 ± 0.2mm
 - CONNECTOR: USB 3.1 GEN 2 TYPE C MALE**
 INSULATOR: BLACK PBT
 PIN 30u" GOLD PLATED
 NICKEL PLATED SHELL
 - CONNECTOR: USB 3.1 GEN 2 TYPE C MALE**
 INSULATOR: BLACK PBT
 PIN 30u" GOLD PLATED
 NICKEL PLATED SHELL
 PCB WITH IC E-MARKED
 - PVC MOLDED: COLOR V398 45P BLACK**
 - ELECTRICAL TEST:**
 <1>.100% OPEN SHORT & MISS WIRE TEST
 <2>. HIPOT: 50V AC/0.01SEC 50V DC/0.01SEC
 <3>. INSULATION RESISTANCE: 10M OHM (MIN)
 <4>. CONDUCTIVE RESISTANCE: 2 OHM (MAX)
 <5>. CAPACITANCE DETECTION: 20nF ± 20% BETWEEN A1 AND A4
 - DATA TRANSFER RATE UP TO 10Gbps (NOMINAL)**
 - CURRENT RATING UP TO 5A (NOMINAL)**
 - VOLTAGE RATING UP TO 20V (NOMINAL)**
 - PACKING: 1PC/POLYBAG W/ LABEL**

CONTROLLED

Dim range (mm)	Tolerance +/- (mm)	Qualtek Electronics Corp. WCI DIVISION		
		Part Number: 3027005-005M		RoHS Compliant
0-1	0.15	Description: USB 3.1(C)/M - USB 3.1 (C)/M		
1-6	0.20	UNIT: mm		
6-18	0.30	Drawn / Date	Checked / Date	Approved / Date
18-50	0.50	R. Nuti 10-02-18	10-02-18	LY / 10-02-18
50-120	0.70			
120-250	0.90			
250-500	1.20			