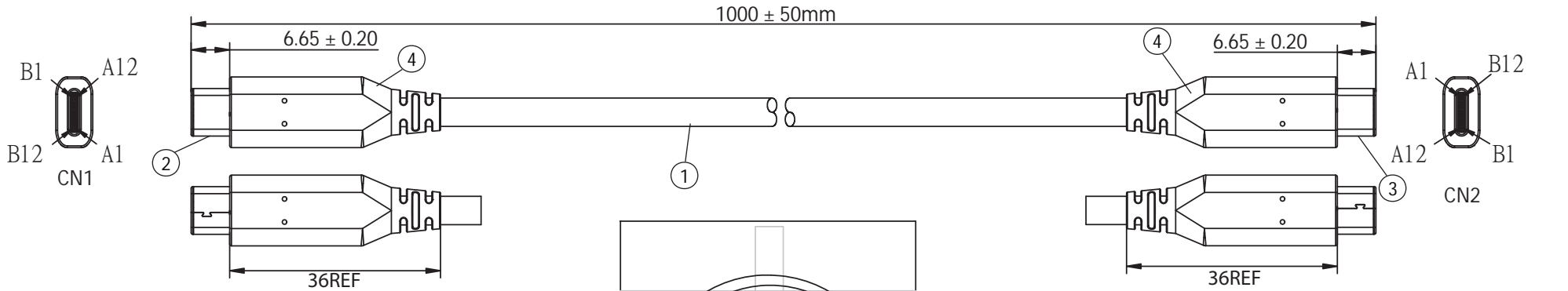


THESE DRAWINGS ARE THE PROPERTY OF QUALTEK ELECTRONICS AND NOT TO BE REPRODUCED FOR OR COMMUNICATED TO A THIRD PARTY WITHOUT THE EXPRESS WRITTEN PERMISSION OF AN OFFICER OF QUALTEK ELECTRONICS.

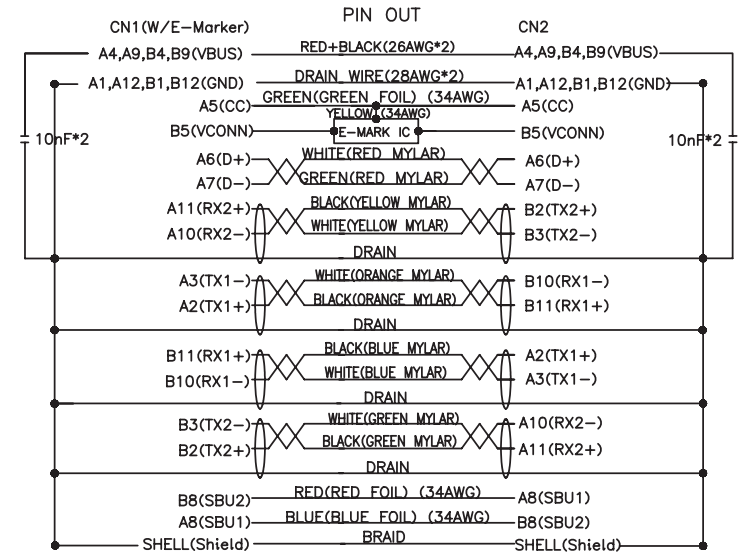
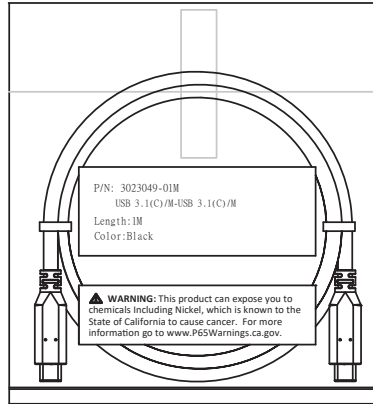
REVISION			
REV.	DESCRIPTION	DATE	APPROVED



P/N: 3023049-01M
 USB 3.1(C)/M-USB 3.1(C)/M
 Length: 1M
 Color: Black

NOTES:

- CABLE: UL 2725
 (30AWGx1PR+EAM)x4+(31AWGx2K+AM)
 +26AWGx2C+34AWGx1C+(34AWGx1C+A)x3+2EAB 85%
 PVC OUTER JACKET: BLACK, OD: 5.2 ± 0.2mm
- CONNECTOR: USB 3.1 GEN 1 TYPE C MALE
 INSULATOR: BLACK PBT
 PIN 30u" GOLD PLATED
 NICKEL PLATED SHELL
- CONNECTOR: USB 3.1 GEN 1 TYPE C MALE
 INSULATOR: BLACK PBT
 PIN 30u" GOLD PLATED
 NICKEL PLATED SHELL
 PCB WITH IC E-MARKED
- PVC MOLDED: COLOR V398 45P BLACK
- ELECTRICAL TEST:
 <1>.100% OPEN SHORT & MISS WIRE TEST
 <2>. HI-POT: 50V AC/0.01 SEC 50V DC/0.01 SEC
 <3>. INSULATION RESISTANCE: 10M OHM (MIN)
 <4>. CONDUCTIVE RESISTANCE: 2 OHM (MAX)
 <5>. CAPACITANCE DETECTION: 20nF ± 20% BETWEEN A1 AND A4
- DATA TRANSFER RATE UP TO 5Gbps (NOMINAL)
- CURRENT RATING UP TO 5A (NOMINAL)
- VOLTAGE RATING UP TO 20V (NOMINAL)
- PACKING: 1PC/POLYBAG W/ LABEL



CONTROLLED

Dim range (mm)	Tolerance +/- (mm)	Qualtek Electronics Corp. WCI DIVISION			
		Part Number: 3023049-01M	RoHS Compliant		
0-1	0.15	Description: USB 3.1(C)/M - USB 3.1 (C)/M			
1-6	0.20				
6-18	0.30				
18-50	0.50				
50-120	0.70				
120-250	0.90	UNIT: mm	Drawn / Date	Checked / Date	Approved / Date
250-500	1.20	R. Nuti 10-02-18	10-02-18	LY / 10-02-18	