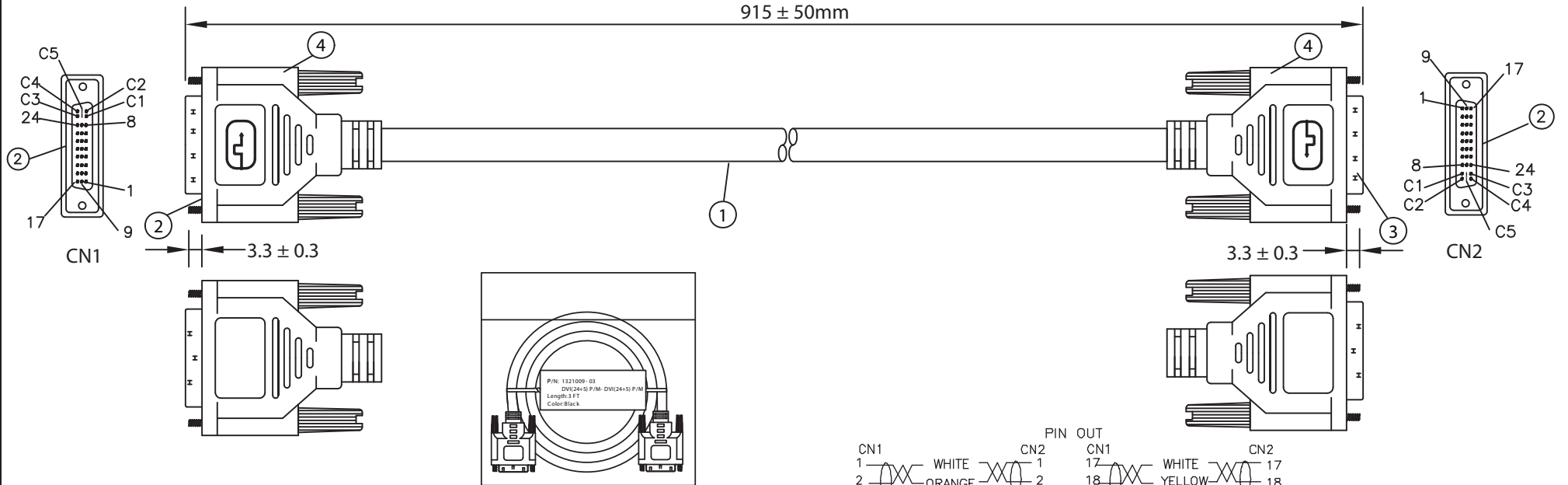


THESE DRAWINGS ARE THE PROPERTY OF QUALTEK ELECTRONICS AND NOT TO BE REPRODUCED FOR OR COMMUNICATED TO A THIRD PARTY WITHOUT THE EXPRESS WRITTEN PERMISSION OF AN OFFICER OF QUALTEK ELECTRONICS.

REVISION			
REV.	DESCRIPTION	DATE	APPROVED
A	Changed Cable Spec	03-12-07	DP
B	Updated Pin Out, Notes and Graphics	08-27-15	LY
C	Updated Pin Out	10-04-17	LY



NOTES:

- CABLE: UL20276
(28AWG*1PR+EAM)*7+(28AWG*1PR+SAM)*3+28AWG*1PR
+28AWG*5C+AEB(AL) 65%
PVC OUTER JACKET: BLACK, OD: 9.5 ± 0.3mm
- CONNECTOR: DVI 24+5 MALE
INSULATOR: BLACK
PIN G/F
NICKEL PLATED SHELL
THUMB SCREW: E4*28.5mm #4-40UNC
- CONNECTOR: DVI 24+5 MALE
INSULATOR: BLACK
PIN G/F
NICKEL PLATED SHELL
THUMB SCREW: E4*28.5mm #4-40UNC
- PVC MOLDED: COLOR V398 45P BLACK
- ELECTRICAL TEST:
<1>.100% OPEN SHORT & MISS WIRE TEST
<2>.INSULATION RESISTANCE: AC300V DC400V 10M ohm MIN.
<3>.CONDUCTOR RESISTANCE: 3 ohm MAX.
- PACKING: 1PC/POLYBAG

PIN OUT					
CN1	1	WHITE	CN2	1	WHITE
	2	ORANGE		2	YELLOW
	3	DRAIN		3	DRAIN
	4	DRAIN		4	DRAIN
	5	WHITE		5	WHITE
	6	BROWN		6	GREEN
	7	ORANGE		7	DRAIN
	8	YELLOW		8	WHITE
	9	GREEN		9	RED
	10	WHITE		10	RED(CEN)
	11	BLACK		11	GREEN(CEN)
	12	DRAIN		12	BLUE(CEN)
	13	DRAIN		13	BLUE
	14	WHITE		14	BLUE
	15	BLUE		15	BLUE
	16	RED		16	GREEN(S)+BLUE(S)+RED(S)
	17	RED		17	GREEN(S)+BLUE(S)+RED(S)
	18	YELLOW		18	GREEN(S)+BLUE(S)+RED(S)
	19	DRAIN		19	GREEN(S)+BLUE(S)+RED(S)
	20	WHITE		20	GREEN(S)+BLUE(S)+RED(S)
	21	GREEN		21	GREEN(S)+BLUE(S)+RED(S)
	22	DRAIN		22	GREEN(S)+BLUE(S)+RED(S)
	23	WHITE		23	GREEN(S)+BLUE(S)+RED(S)
	24	RED		24	GREEN(S)+BLUE(S)+RED(S)
	C1	RED(CEN)		C1	RED(CEN)
	C2	GREEN(CEN)		C2	GREEN(CEN)
	C3	BLUE(CEN)		C3	BLUE(CEN)
	C4	BLUE		C4	BLUE
	C5	GREEN(S)+BLUE(S)+RED(S)		C5	GREEN(S)+BLUE(S)+RED(S)
	SHELL	BRAID& DRAIN		SHELL	BRAID& DRAIN

CONTROLLED

Dim range (mm)		Tolerance +/- (mm)	Qualtek Electronics Corp. WCI DIVISION		
0-1	0.15	Description: DVI (24+5)P/M - DVI (24+5)P/M	Part Number: 1321009-03		RoHS Compliant
1-6	0.20		UNIT: mm		REV.C
6-18	0.30		Drawn / Date	Checked / Date	Approved / Date
18-50	0.50		B. Grubb 01-12-07	01-12-07	JJH / 01-12-07
50-120	0.70				
120-250	0.90				
250-500	1.20				