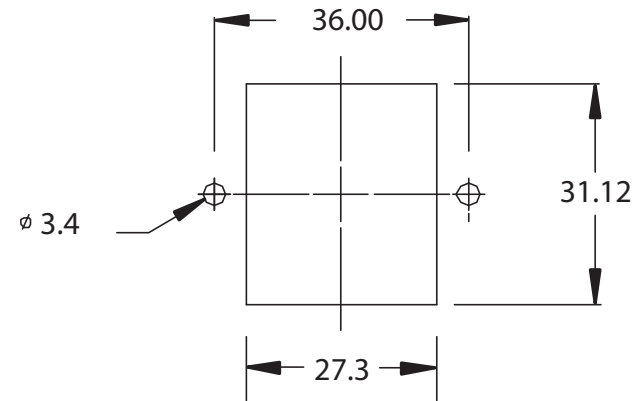
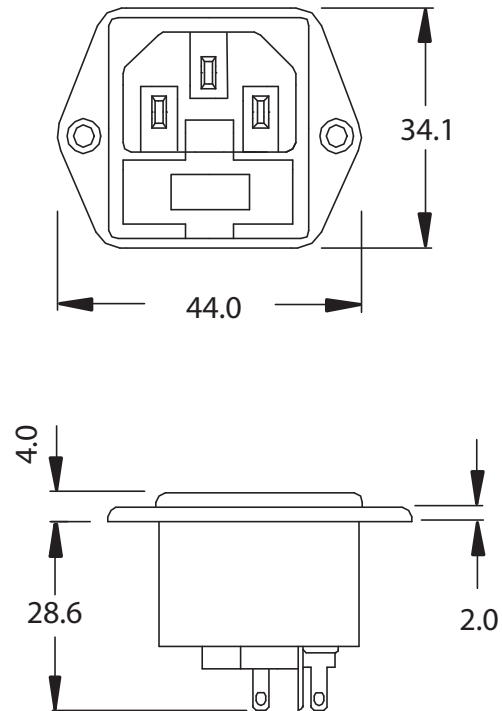


THESE DRAWINGS ARE THE PROPERTY OF QUALTEK ELECTRONICS AND NOT TO BE REPRODUCED FOR OR COMMUNICATED TO A THIRD PARTY WITHOUT THE EXPRESS WRITTEN PERMISSION OF AN OFFICER OF QUALTEK ELECTRONICS.

REVISION			
REV.	DESCRIPTION	DATE	APPROVED
B	RoHS Compliancy	06-01-2006	D.P.
C	Updated Approvals	03-16-15	LY



MATERIAL:
 HOUSING: NYLON, FLAMMABILITY RATING UL94V-0
 BRASS TERMINALS: PINS, NICKEL PLATED
 TABS, TIN PLATED

CHARACTERISTICS:
 RATING: 10A, 250V, AC
 INSULATION RESISTANCE: $>10^3$ M

APPROVALS:
 UL, CSA
 RoHS COMPLIANT

CONTROLLED

Dim range (mm)	Tolerance +/- (mm)	Qualtek Electronics Corp. PPC DIVISION		
		Part Number: 720-00/63	RoHS Compliant	
0-1	0.15	Description: SCREW MOUNT INLET		
1-6	0.20			
6-18	0.30		UNIT: mm	Rev. C
18-50	0.50			
50-120	0.70	Drawn / Date	Checked / Date	Approved / Date
120-250	0.90	Sean Chen 06-07-99	06-07-99	JJH / 06-07-99
250-500	1.20			