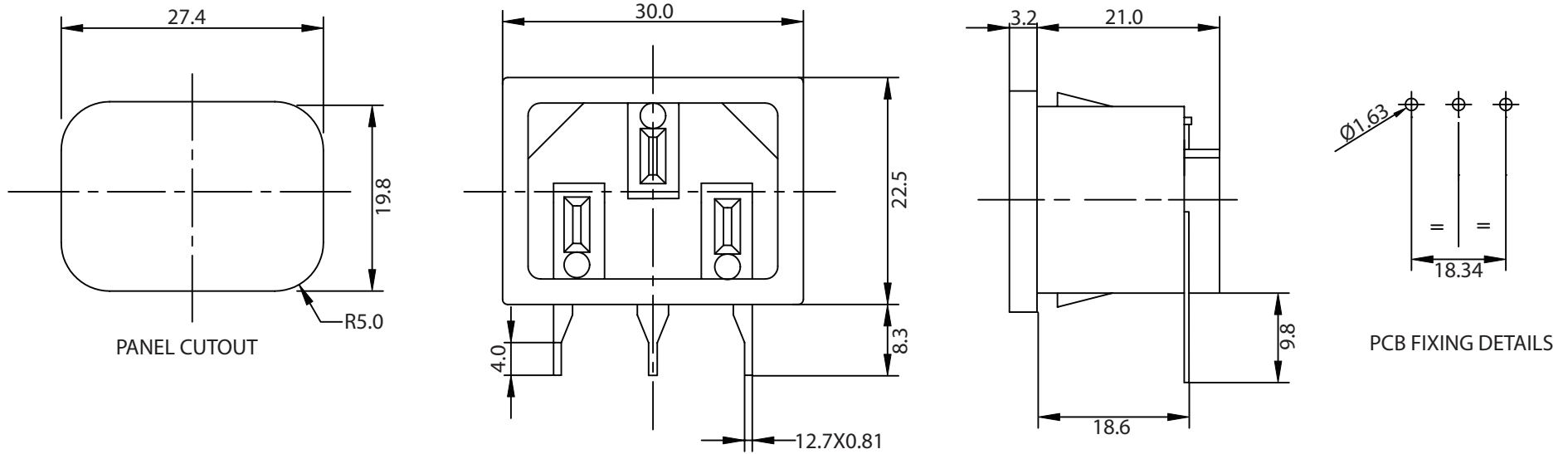


THESE DRAWINGS ARE THE PROPERTY OF QUALTEK ELECTRONICS AND NOT TO BE REPRODUCED FOR OR COMMUNICATED TO A THIRD PARTY WITHOUT THE EXPRESS WRITTEN PERMISSION OF AN OFFICER OF QUALTEK ELECTRONICS.

REVISION			
REV.	DESCRIPTION	DATE	APPROVED
B	RoHS Compliancy	06-01-06	DP



**NOTES:**

**MATERIAL:**

MOLDING: NYLON, FLAMMABILITY RATING UL 94V-0  
 CONTACTS: BRASS. PINS NICKEL PLATED, TAGS TIN PLATED  
 SCREW TERMINALS: NICKEL PLATED

**RATING:**

UL, CSA: 15A 250V  
 VDE: 10A 250V AC  
 CONTACT RESISTANCE: <10 m OHM  
 INSULATION RESISTANCE: >10<sup>3</sup> M OHM  
 A.C. BREAKDOWN:  
 POLE-POLE: 5kV  
 POLES-PANEL: 5.4kV  
 OPERATING TEMPERATURE: -40° C TO + 70° C  
 MAX. PIN TEMPERATURE: +65° C  
 PANEL THICKNESS: 3.0mm  
 APPROVALS: UL, CSA, VDE  
 RoHS COMPLIANT

**CONTROLLED**

Dim range (mm)	Tolerance +/- (mm)	Qualtek Electronics Corp. PPC DIVISION		
		Part Number: 701-30/09	RoHS Compliant	
0-1	0.15	Description: AC RECEPTACLE		
1-6	0.20			
6-18	0.30	UNIT: mm	REV. B	
18-50	0.50		REV. B	
50-120	0.70	Drawn / Date	Checked / Date	Approved / Date
120-250	0.90	B. ZHANG 08-27-02	08-27-02	JJH / 08-27-02
250-500	1.20			