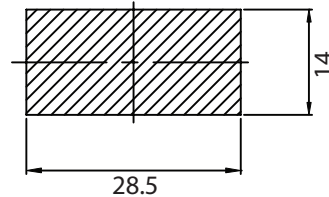
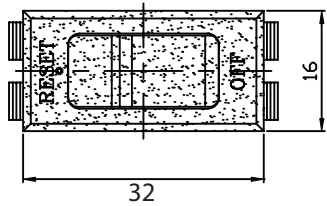


THESE DRAWINGS ARE THE PROPERTY OF QUALTEK ELECTRONICS AND NOT TO BE REPRODUCED FOR OR COMMUNICATED TO A THIRD PARTY WITHOUT THE EXPRESS WRITTEN PERMISSION OF AN OFFICER OF QUALTEK ELECTRONICS.

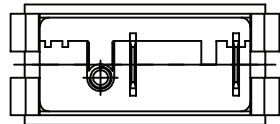
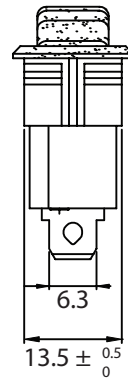
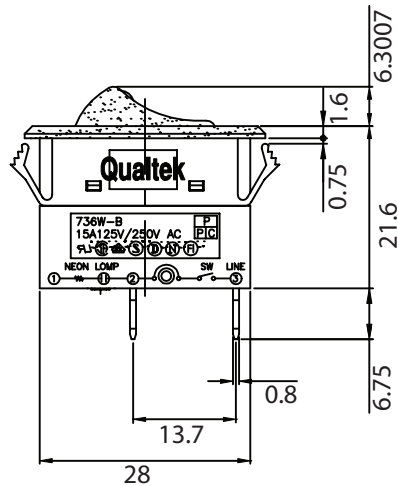
REVISION			
REV.	DESCRIPTION	DATE	APPROVED
B	RoHS Compliancy	06-01-06	DP

NOTES:

RATING: 15A 125V/250V AC
 APPROVALS: UL, CSA, VDE
 RoHS COMPLIANT



PANEL CUTOUT



CIRCUIT BREAKER TRIP TIME VS AMPERES			
Model Number	Current Rating	Overload Percentage	Trip Time (in seconds) VS Amperes at +25
736W-B-102	15A	100%	No Trip
		150%	Trip in 1 hour
		200%	3~30
		300%	1~10
		400%	0.4~2.5
		600%	0.2~0.75
		800%	0.10~0.4
		1000%	0.07~0.3

CONTROLLED

Dim range (mm)	Tolerance +/- (mm)	Qualtek Electronics Corp. PPC DIVISION		
		Part Number: 736W-B/102	RoHS Compliant	
0-1	0.15	Description: CIRCUIT BREAKER/SWITCH NON-ILLUMINATED WITH BLACK BODY AND RED ACTUATOR		
1-6	0.20			
6-18	0.30		UNIT: mm	REV. B
18-50	0.50			
50-120	0.70	Drawn / Date	Checked / Date	Approved / Date
120-250	0.90	S.CHEN 08-02-99	08-02-99	JJH / 08-02-99
250-500	1.20			